

AC12"koax1"

Two-way loudspeaker system

The AC12"koax1" is a two-way structure plastic cabinet system with waterproof and sunscreening housing, designed for long distance sound reinforcement.

Features:

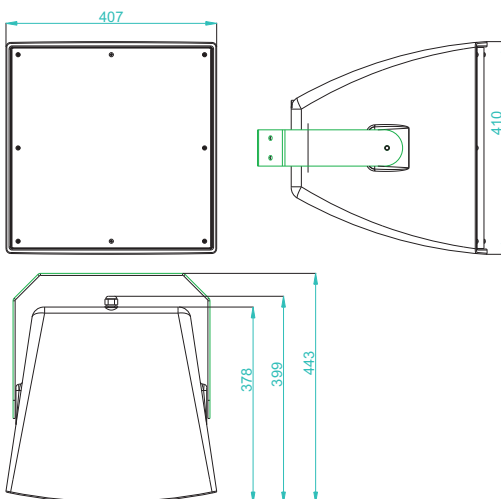
- ※ Strong plastic cabinet, waterproof and suncreening
- ※ High power output
- ※ Accurate 80 ° × 80 ° constant direction to reduce sound interference and ensure clear sound

Applications:

- ※ Suitable for long/middle sound reinforcement distance.
- ※ Suitable for public avenues such as stadiums etc.



Overall dimensions



Technical specifications

FREQUENCY RESPONSE	55Hz-18kHz ±3dB
DRIVERS	1×12" (300mm)/3" voice coil LF 1×1" (25mm) /1.7"voice coil HF
POWER	600W
SENSITIVITY	98 dB 1 watt/1 metre
MAXIMUM SPL	122 dB continuous, 128dB peak
IMPEDANCE	8 ohms nominal
DISPERSION(-6 dB)	80 ° × 80 °
CROSSOVER	2.2 kHz passive
DIMENSIONS	(W)407mm×(H)410mm×(D)443mm
WEIGHT	17.9kg

